

EXTENDABLE

The **dsh EXTENDABLE**, a simple and affordable solution designed to increase YOUR loading/unloading operation.

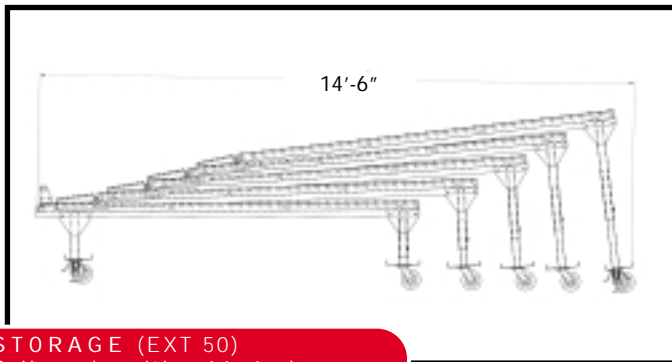
Safe, easy to operate and very compact, the **dsh EXTENDABLE**, minimizes operator and forklift travel at shipping doors.



When not in use, a 5 section **EXTENDABLE** stows away occupying less than 15' x 3' of floor space. Extended to it's full reach, **EXTENDABLE** transforms into a 50' lg declining roller conveyor into your trailer ready for use.

Available in 2, 3, 4, 5 and 6 section models, the **dsh EXTENDABLE** is suited for small courier dock level vans, to full size 50' trailers.

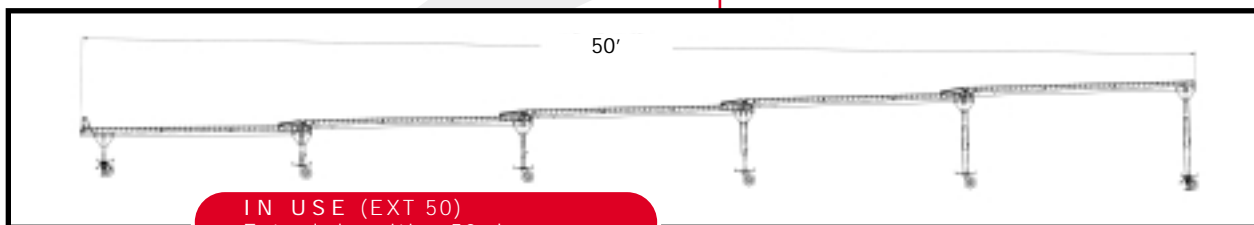
EXTENDABLE



STORAGE (EXT 50)
Collapsed position 14'-6" long

Construction

- 7ga metal welded frame
- 1.9 dia , 16ga rollers
- fixed floorlocks and casters
- structural hss tubing supports
- HD removable endstop



IN USE (EXT 50)
Extended position 50' long

Increasing
YOUR
Productivity

Maximize YOUR shipping door operations with the **dsh EXTENDABLE**. Adjustable to suit operators preferred heights, an asset to any distribution warehouse, cross-dock operation, courier terminal, or shipping facility.

EXTENDABLE SPECIFICATIONS

Carrying Roller	1.9" diameter 16-gauge steel rollers with 7/16" spring loaded axles
Between Frame Dimension	16", 20", 24", 30", 36"
Roller Centres	2", 3" centers
Collapsed/Extended Lengths	11'6"/20', 12'6"/30', 13'6"/40', 14'6"/50', 15'6"/60', 16'6"/70'
Paint	Standard Gray: Custom colours upon request

